

CITATION II ▪ CESSNA 550B

EXECUTIVE FLIGHTS



CITATION II ▪ CESSNA 550B

EXECUTIVE FLIGHTS

Aerovías DAP introduces the new Cessna Citation 550B, with capacity for 8 passengers and cruise speed up to 700 km/h. In order of satisfying even the most demanding needs, Aerovías DAP offers everything needed to create luxury trips since the moment passengers board the flight.

1

Comfort:

The main purpose of our company is offering comfort and safety for passengers. 8 executive seats, private FBO, express check in and luxury catering (on demand), will provide a comfortable trip with no setbacks.

2

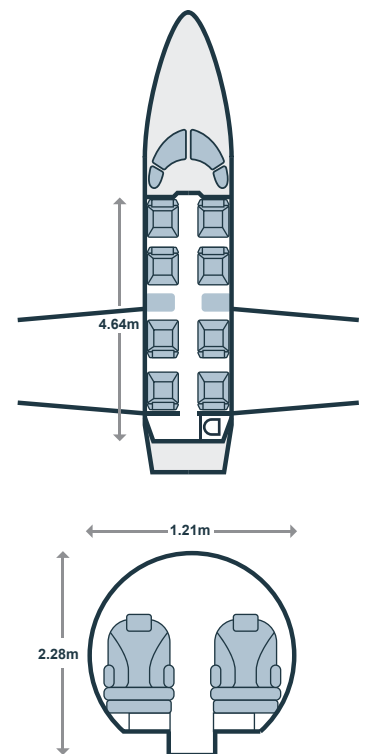
Rapidity:

Aerovías DAP passenger transportations offer private FBO, which reduces the time in-site required before boarding, also providing an expedite check in, exclusive for each flight. The new Citation 550B presents autonomy for up to 4 hours, allowing trips in Chile and South America, as well as landings in high-altitude runways.

3

Safety:

Aerovías DAP diverse fleet has strict safety measures, especially regarding sanitization to help control COVID 19. Before and after each flight, airplanes are profoundly sanitized. Also, when boarding the aircraft, temperature will be controlled, and passengers and crew will receive masks and gloves.



Fact Sheet

Crew: 2

Maximum Capacity: 8 passengers

Cruise Speed: 700 km/h

Flight Roof: 13.216 mts

Luggage: 30 kilograms per Passenger.



CITATION II ▫ CESSNA 550B

AMBULANCE AIRCRAFT

Aerovías DAP introduces the new Cessna Citation 550B, with aeromedical setting for one or two stretchers, with all the implementation required to transfer critic patients*.

1

Ambulance Aircraft:

The aeromedical service transfers patients from a medical center to a more complex hospital in a "bed to bed" mode, using a medical team on board. The aircraft has the capacity of transferring two patients at the same time.

2

Stretchers:

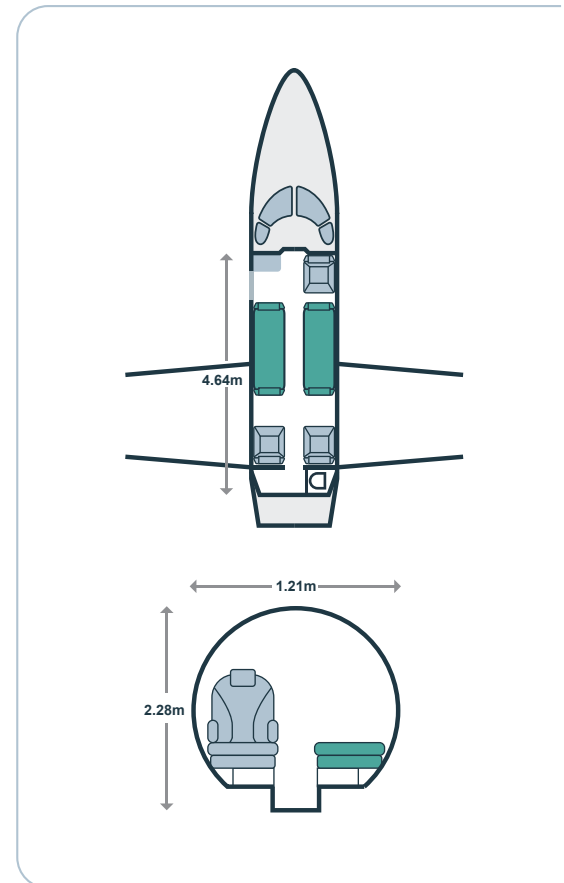
The airplane's layout allows the setting of two Lifeport Inc PLUS stretchers and have a doctor and nurse on board. Also, the new "bubble stretchers" offer the option of transferring COVID 19 patients with all the safety measures required by the Health Department and the WHO.

3

Safety Regulations:

All aeromedical flights feature doctor and nurse, in charge of keeping the patient on its best conditions during the transfer. The medical staff has every certification required by the DGAC and the Health Department.

**For COVID critic patients, the airplane allows only one patient per flight.*



CITATION II ▪ CESSNA 550B

Chilean and International Routes



For more information, contact:

Michelle Walbaum

michelle.walbaum@dap.cl

ventas.scl@dap.cl

+569 9257 2580